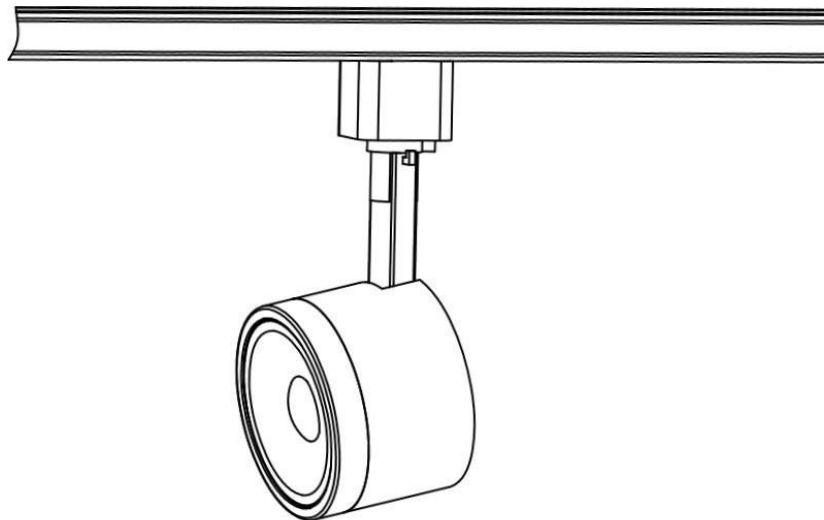
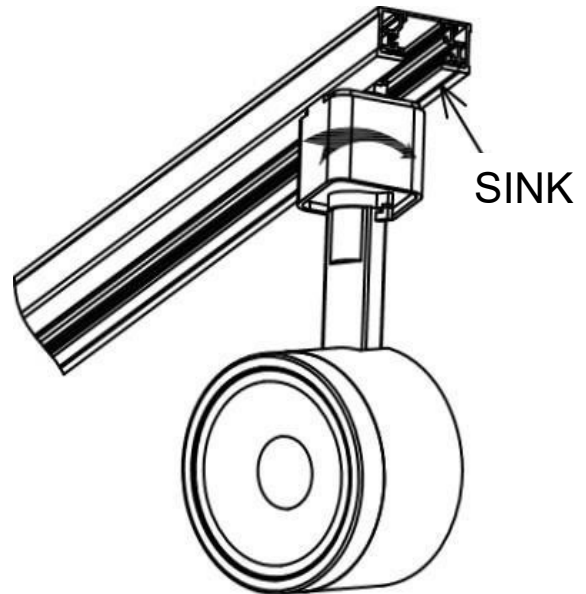
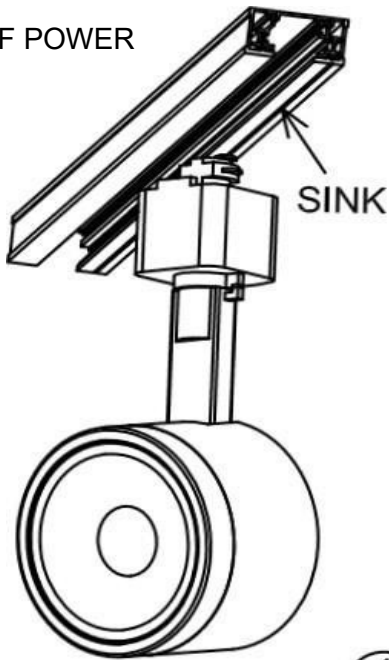


## INSTALLATION INSTRUCTIONS

TH480, TH481, TH482, TH483, TH484, TH485, TH486, TH487, TH488, TH489, TH490, TH491, TH492, TH493, TH494, TH495, TH496, TH497, TH498, TH499

TURN OFF POWER



\*PLEASE  
NOTE: TRACK  
HEAD MODEL  
PICTURED  
MAY DIFFER  
FROM ACUTAL  
MODEL  
RECEIVED.

3